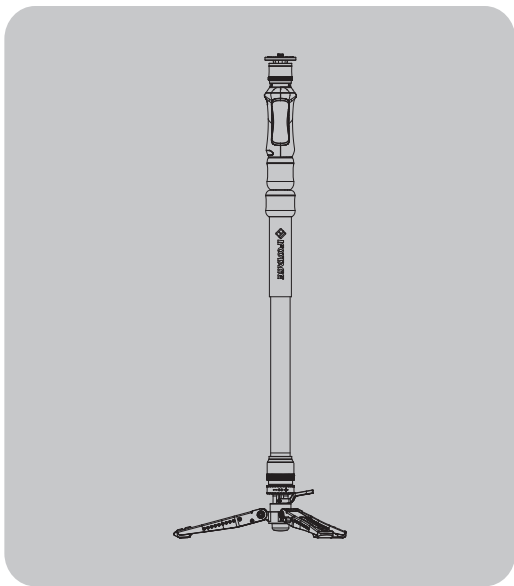


# COBRA 3

*STRIKE* A150S-III

User Manual



 **IFCOTAGE**

# Contents

■ Features .....	1
■ List of Items .....	1
■ Technical Information .....	1
■ Parts Names .....	2
■ User Guide and Functions .....	3
• Equipment Compatibility and Usage .....	3
• Attaching a Camera Head .....	4
• Attach Light to Cobra Monopod .....	5
• One Touch Feature .....	6
• COBRA 3 BASE-P Centre Column Angle Adjustment .....	6
• COBRA 3 BASE-P Low Angle Minipod Usage .....	7
• COBRA 3 BASE-P Low Angle Minipod .....	7
• Monopod Installation .....	8
• COBRA 3 BASE-P Extended Monopod Function .....	8
■ Maintenance .....	9

Thank you very much for purchasing this iFootage product. This manual applies to the COBRA 3 A150S -III Strike. To get the most from your COBRA 3, please read the following instructions carefully and keep this manual safe for future reference.

## Features

1. This patented innovation features one-touch control for instant deployment, providing faster and more efficient operation than similar products and allowing for easy adjustment of shooting angles on demand.
2. There's no need to bend down to make adjustments, as the angle of the monopod can be adjusted while you remain standing.
3. The new quick-release design allows for mounting and dismounting in just a second, enabling fast and convenient operation.
4. An adjustable rotational damping, making base movement more flexible, eliminating stuttering, and adaptable to a wider range of shooting environments
5. Versatile design allows use as a monopod, audio boom pole, light stand, or low-profile minipod.
6. Minipod feet can be set at three different angles.
7. Easy to carry, transport, and store, making it the ideal travel companion for photographers and videographers alike.

## List of Items



Monopod body



Warranty Card



Manual



Product Certification



Carry Bag

## Technical Information

COBRA 3 A150S-III

Number of sections

3

Storage length

83.7CM

Vertical load capacity

5kg

Extended length

150CM

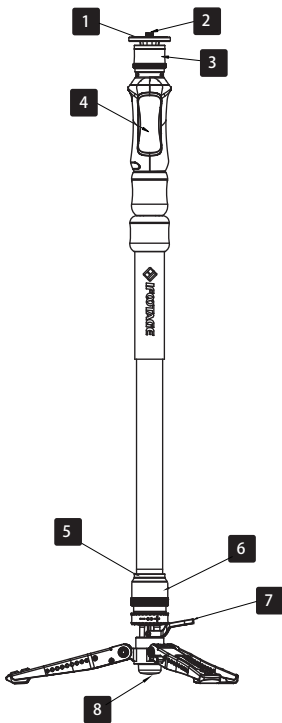
Weight

1.6kg

Material

Aluminium Alloy

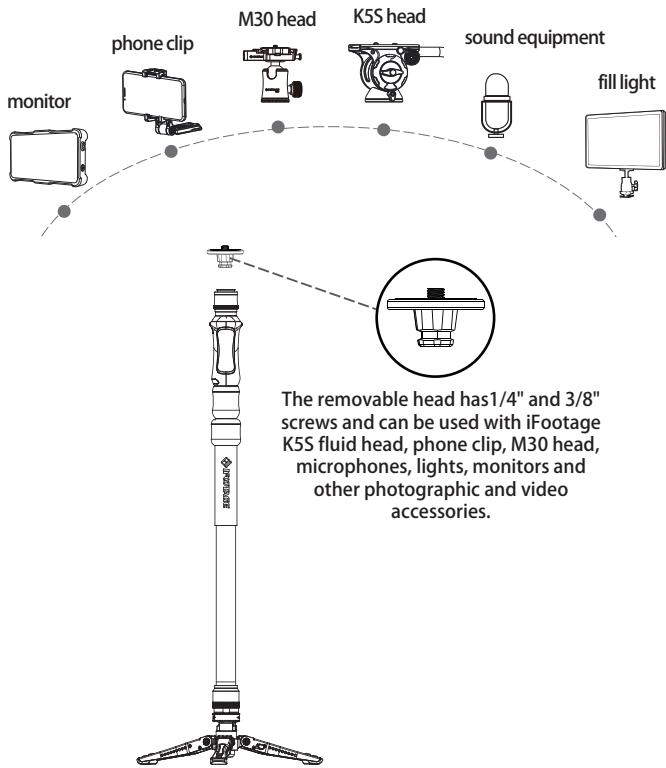
# Parts Names



- |                                |                               |                              |
|--------------------------------|-------------------------------|------------------------------|
| <b>1</b> Quick release head    | <b>2</b> 1/4" and 3/8" screws | <b>3</b> Auto locking sleeve |
| <b>4</b> One Touch button      | <b>5</b> Low profile minipod  | <b>6</b> Auto locking sleeve |
| <b>7</b> Pedal Locking Control | <b>8</b> Rubber foot          |                              |

# User Guide and Functions

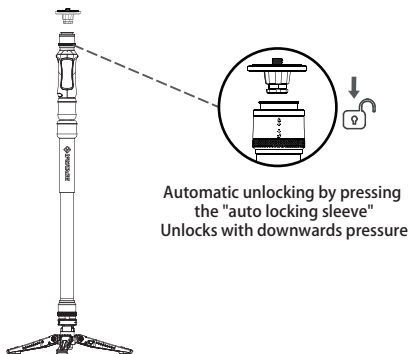
## ■ Equipment Compatibility and Usage



# User Guide and Functions

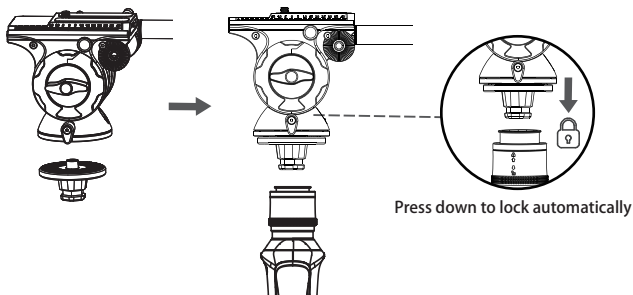
## ■ Attaching a Camera Head

Step 1: Press down the auto locking sleeve and lift quick release head to remove. To re-connect, re-insert the quick release head and push down to auto-lock.



Step 2: Using either the 1/4" or 3/8" screw, attach the quick release head to the camera head.

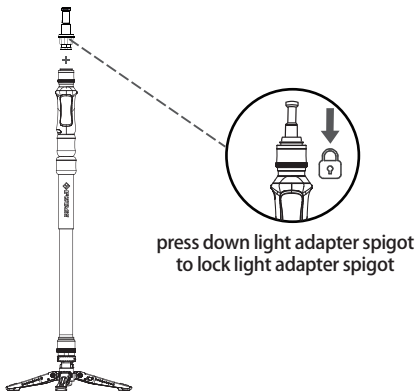
Step 3: Insert the quick release head with camera head attached into the top of the monopod and press down to lock automatically.



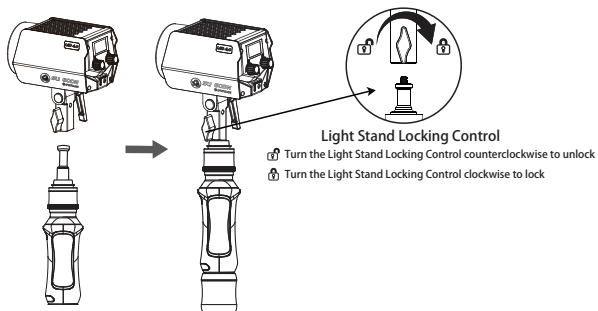
# User Guide and Functions

## ■ Attach Light to Cobra Monopod

Step 1: Press down the "auto locking sleeve", then press down "light adapter spigot" to lock automatically.



Step 2: Attach the Anglerfish light to the light adapter spigot on the Cobra monopod, and then tighten the light stand locking control to secure it in place.

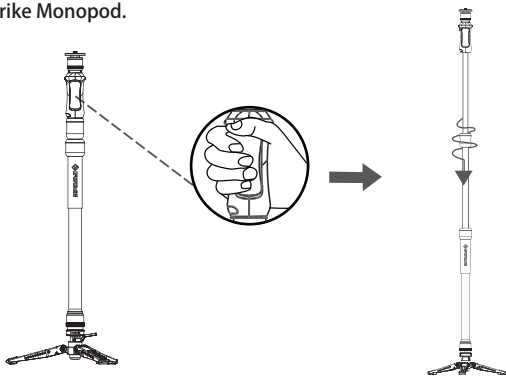


\*The light adapter spigot is not included but is available for purchase on our official website.

# User Guide and Functions

## ■ One Touch feature

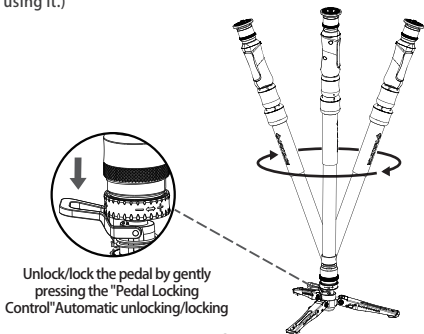
Press the One Touch button to instantly extend or collapse the Cobra Strike Monopod.



## ■ COBRA 3 BASE-P Centre Column Angle Adjustment

Press the "Pedal Locking Control" all the way down and release to automatically unlock the main column. It offers a maximum tilt of 40° and a full 360° rotation. To re-center the main pole, press the "Pedal Locking Control" all the way down again, let go and move the main pole to the center, and lock it in place.

(Note: To prevent damage to the camera, it is advisable to keep your foot on the monopod feet while using it.)

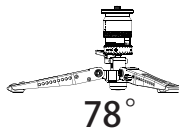
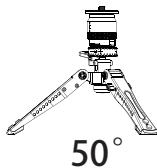


# User Guide and Functions

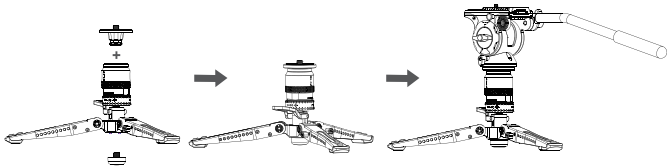
## ■ COBRA 3 BASE-P Low Angle Minipod Usage



Press and hold the PUSH button to adjust the angle of each foot



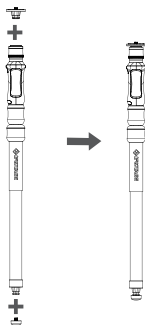
## ■ COBRA 3 BASE-P Low Angle Minipod



# User Guide and Functions

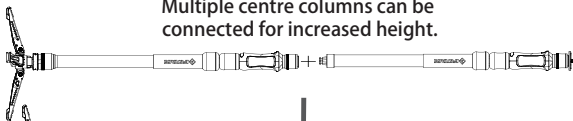
## ■ Monopod Installation

To use the Cobra 3 Strike as a monopod without its base, simply remove the rubber feet from the base and attach them directly to the main pole.

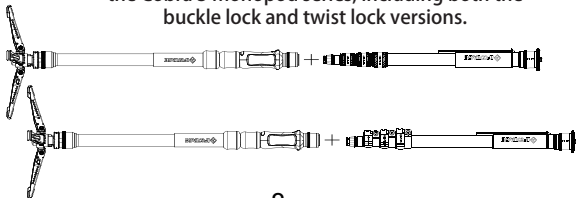


## ■ COBRA 3 BASE-P Extended Monopod Function

Multiple centre columns can be connected for increased height.



The Cobra 3 Strike is compatible with all models in the Cobra 3 monopod series, including both the buckle lock and twist lock versions.



# Maintenance

1. Before use, please verify the tightness of screws and sections. If a screw is too loose, it may fall out; if too tight, it can make operation difficult or damage the tubing.
2. After use in rain, snow and wet conditions please open feet and clean with a dry cloth to remove moisture and soil etc. Leave to air dry.
3. To avoid damage, please store carefully.
4. Remove sand or gravel from fittings and clean promptly (a soft brush can be used to clean threads) Should you need to oil the threads it is recommended that you should only use a small quantity of oil as this will lubricate other parts during.
5. The Cobra 3 Strike A150S-III is covered by a 1-year warranty from the date of original purchase.
6. In the unlikely event that the product is found to be faulty please contact our Customer Service team who will be happy to assist you: [cs@ifootagegear.com](mailto:cs@ifootagegear.com).

\*The monitor, smartphone clamp, microphone, fluid head, Anglerfish light, buckle lock pole, light adapter spigot, twist lock pole, etc., referenced in this manual are not included with this product but can be purchased separately if needed.

# Statement

iFootage reserve the right to amend or rectify all hardware and software specifications at any time without notice. If there appears to be any difference between the contents of the instruction manual and the actual product, please refer to the product itself.

iFootage and its associates will not be held responsible for the use or misuse of any of the iFootage products or any direct, indirect, punitive, incidental, special consequential property or life damage responsibility. The risk of users or any other person using this product shall be borne by the user. This will not affect your legal rights.

## Manufacturer's Information



IFOOTAGE INTERNATIONAL (HK) LIMITED

UK Design & Made in China

Origin: China

Website: [www.footagegear.com](http://www.footagegear.com)

